



FOR
 EXTRA-LARGE
 SCREENS

BT8506

EXTRA-LARGE FLAT SCREEN DISPLAY TROLLEY / STAND

The BT8506 is a mobile or freestanding solution for extra-large screens and heavy duty touchscreen displays. Featuring a simple 'hook-on' installation for quick and easy screen fitting, the BT8506 includes a storage area for cables and accessories, with integrated cable management throughout for a neat and tidy installation. The trolley base disassembles into three pieces for portability.

SPECIFICATION

Recommended screen size	65" - 120"
Max load	130kg
VESA® and non-VESA fixings	up to 1100mm x 730mm
Dimensions (including castors)	W: 1660mm H: 1649mm D: 810mm
Storage area dimensions	W: 720mm H: 160mm D: 90mm
Colour (base)	Black
Colour (poles)	Black or Chrome

FEATURES

- Heavy duty XL flat screen trolley suitable for screens 65" and over
- Interface features optional storage area for cables and accessories
- Includes non-marking 4" locking/braked castors & alternative levelling feet
- 1.5m Ø60mm poles supplied with 5 cable management holes
- Shelves and other accessories can be fitted to the poles using Ø60mm accessory collars (available separately)
- Adjustment screws allow screen to be levelled once mounted
- Integrated cable management for a neat and tidy installation
- Simple 'hook-on' installation
- All mounting hardware included



120" 305cm
 VESA 1100 x 730
 130KG
 Castor icon
 Levelling icon



Base disassembles into three pieces for easy transportation



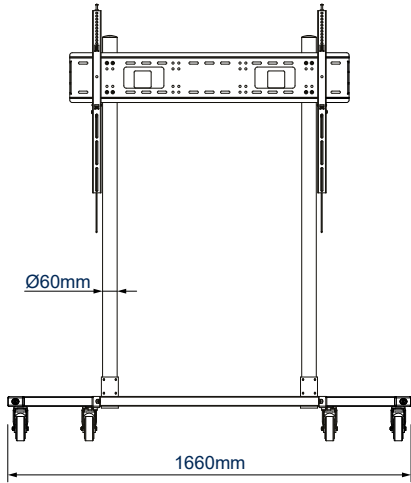
Interface features optional storage area for cables and accessories



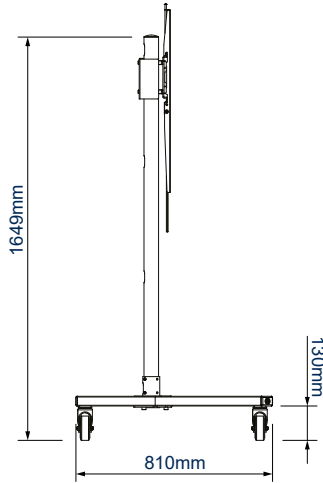
Non-marking 4" locking / braked castors included



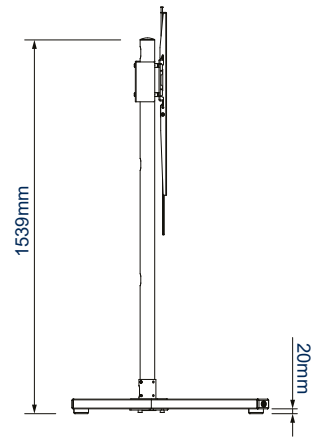
Adjustment screws allow screen to be levelled once mounted



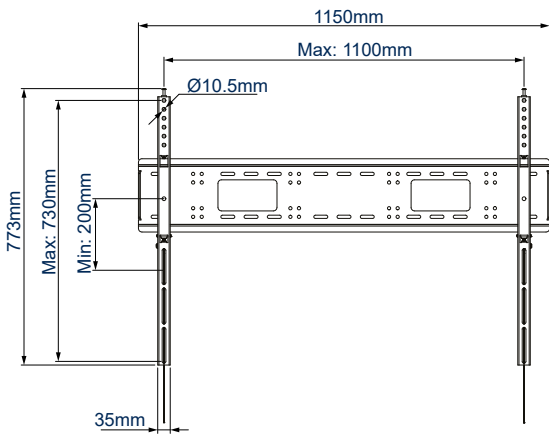
FRONT VIEW WITH CASTORS



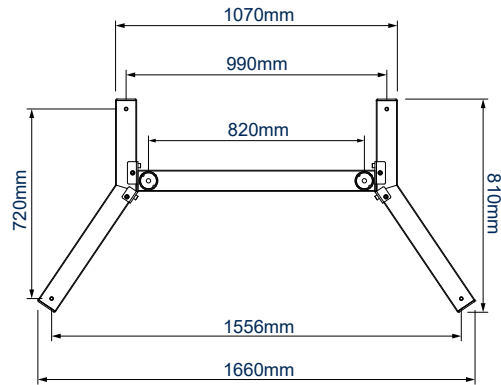
SIDE VIEW WITH CASTORS



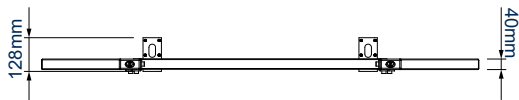
SIDE VIEW WITH LEVELLING FEET



UNIVERSAL INTERFACE



TROLLEY BASE - TOP VIEW



TROLLEY BASE - FRONT VIEW

PACKING INFORMATION

PLEASE NOTE, THIS IS A **MULTI-BOX ITEM**

COLOUR:	ORDER REF:	EAN CODE:	MASTER CARTON QTY:	INNER CARTON QTY:	MASTER CARTON WEIGHT:	MASTER CARTON CUBE:
Black Base & Black Poles	BT8506/BB	5019318759444	1	0	17kg / 14.5kg / 9kg	0.082 / 0.082 / 0.017cbm
Black Base & Chrome Poles	BT8506/BC	5019318759451	1	0	17kg / 14.5kg / 9kg	0.082 / 0.082 / 0.017cbm

ACCESSORIES AND RELATED PRODUCTS



60mm Accessory Collar for fixing mounts and accessories to Ø60mm poles



Large AV Accessory Shelf is ideal for adding AV accessories such as a Blu-Ray player or laptop to an installation or a wall



Trolley for 84\"/>



Large Flat Screen Display Trolley for screens up to 65\"/>

© 2018 B-Tech Professional Design. All rights reserved. B-Tech Professional Design is a registered trademark of B-Tech Professional Design & Manufacturing Limited. The information in this technical drawing is for reference only. It is not intended to be used as a substitute for a physical inspection of the product. All dimensions are in millimeters unless otherwise stated. B-Tech Professional Design & Manufacturing Limited is not responsible for any damage or loss caused by the use of this information. B-Tech Professional Design & Manufacturing Limited, 88C,